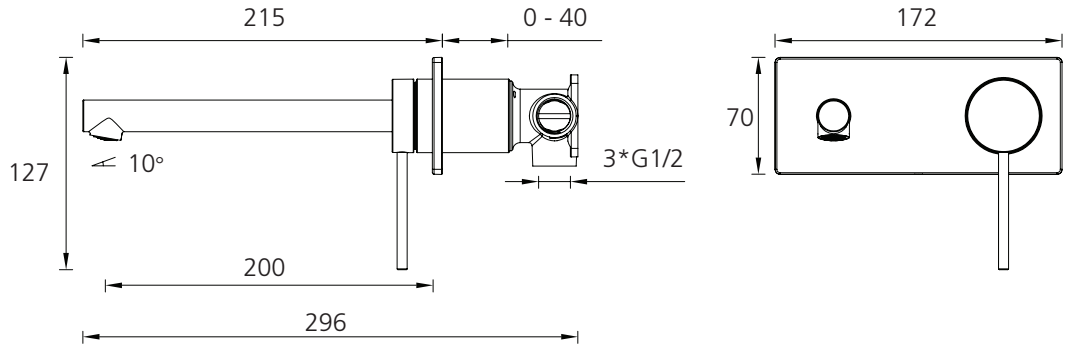


# Venice

**VE108500CR**

Chrome Straight Wall Mixer Set



All dimensions in mm

## Specifications /

<b>WELs rating</b>	5 Star, 6 L per min
<b>Temperature rating (min / max)</b>	1°C - 65°C
<b>Pressure rating (min / max)</b>	150 kPa - 500 kPa
<b>Finish</b>	Chrome (electroplated)
<b>Materials</b>	Brass body and zinc handle with SUS handle lever
<b>Cartridge size</b>	35 mm
<b>Cartridge type</b>	Ceramic disc cartridge
<b>Product weight</b>	1.04 kg
<b>Installation</b>	200 mm fixed wall spout with mixer
<b>Water supply</b>	Mains
<b>Warranty</b>	15 years cartridge, body and finish; 5 years seals, tails, fittings, aerators; 1 year labour (see Oliveri website for full details)
<b>Maintenance and care instructions</b>	All surfaces should be cleaned with mild liquid detergent or soap and water. Do not use cream cleaners or citrus based cleaning products, as they are abrasive. Use of unsuitable cleaning agents may damage the surface. Any damage caused in this way will not be covered by warranty.