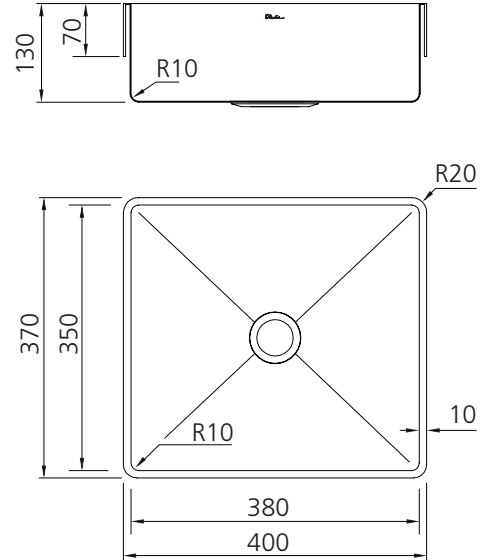


Milan

MI50CU

Rectangular Stainless Steel Inset Copper Basin

All dimensions in mm



Specifications /

| | |
|------------------------------------------|------------------------------------------------------------------------------------------------------------------------------------------------------------------------------------------------------------------------------------------------------------------------------------------|
| Basin size | 400 W x 370 H x 130 D mm |
| Basin capacity | 17.3 L |
| Colour | PVD Copper |
| Material | Stainless Steel |
| Installation | Inset (cut-out required) |
| Tap holes | N/A |
| Waste fittings | 1 x Pop-up waste included |
| Overflow | Not available |
| Carton size | 460 W x 430 H x 200 D mm |
| Weight | 6.2 kg |
| Warranty | Lifetime warranty on stainless steel bowl. 1 year parts & labour (see Oliveri website for full details) |
| Maintenance and care instructions | All surfaces should be cleaned with mild liquid detergent or soap and water. Do not use cream cleaners or citrus based cleaning products, as they are abrasive. Use of unsuitable cleaning agents may damage the surface. Any damage caused in this way will not be covered by warranty. |

Included accessories /



ACPUW-CU
Pop-up Waste