

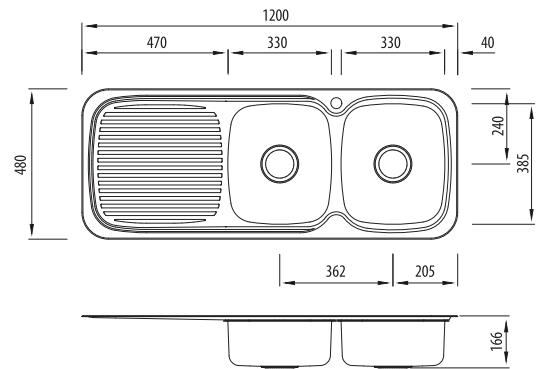
LakeLand

LL157

Double Bowl Sink With Drainer



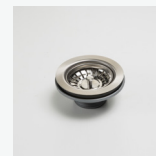
All dimensions in mm



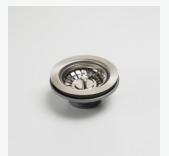
Specifications /

| | |
|--|--|
| Sink size | 1200W x 480H mm |
| Bowl size | Main Bowl 330W x 385H x 155D / 17L Main Bowl 330W x 385H x 155D / 17L |
| Construction | 2 piece, bowls and drainer seam welded |
| Material | 304 grade, 18/10 polished stainless steel (0.8 mm thick) |
| Installation | Topmount recommended |
| Fixings | Adjustable clips and sealing foam supplied |
| Min cabinet size | 800 mm |
| Tap holes | 1 tap hole only |
| Waste fittings | 2 x 90 mm basket wastes included |
| Overflow | Not available |
| Carton size | 1210 x 490 x 170 mm |
| Weight | 7.5 kg |
| Warranty | Lifetime manufacturer's warranty (refer to oliveri.com.au) |
| Maintenance and care instructions | All surfaces should be cleaned with mild liquid detergent or soap and water. To maintain the shine on your Oliveri stainless steel sink, we recommended the use of any of the easy to obtain, non-abrasive stainless steel cleaners or metal polishes. |

Included accessories /



AC14
Basket Waste



AC14
Basket Waste

