

Oliveri®

ACCH001



Care Handle Suit Goose Neck Mixers (Stainless Steel)

SS2520 Essente Stainless Steel Goose Neck Mixer
 SS2525 Essente Stainless Steel Goose Neck Pull Out Mixer
 SS2570 Essente Stainless Steel Square Goose Neck Mixer
 SS2575 Essente Stainless Steel Square Goose Neck Pull Out Mixer

ACCH002



Care Handle Suit Goose Neck Mixers (Brushed Gold)

SS2525-AU Essente Brushed Gold Goose Neck Pull Out Mixer
 SS2575-AU Essente Brushed Gold Square Goose Neck Pull Out Mixer

ACCH003



Care Handle Suit Goose Neck Mixers (Black)

SS2525-BL Essente Black Goose Neck Pull Out Mixer
 SS2575-BL Essente Black Square Goose Neck Pull Out Mixer

ACCH004



Care Handle Suit Goose Neck Mixers (Gunmetal)

SS2525-GM Essente Gunmetal Goose Neck Pull Out Mixer
 SS2575-GM Essente Gunmetal Square Goose Neck Pull Out Mixer

ACCH005



Care Handle Suit Swivel Mixers (Stainless Steel)

SS2510 Essente Stainless Steel Swivel Mixer
 SS2515 Essente Stainless Steel Swivel Pull Out Mixer

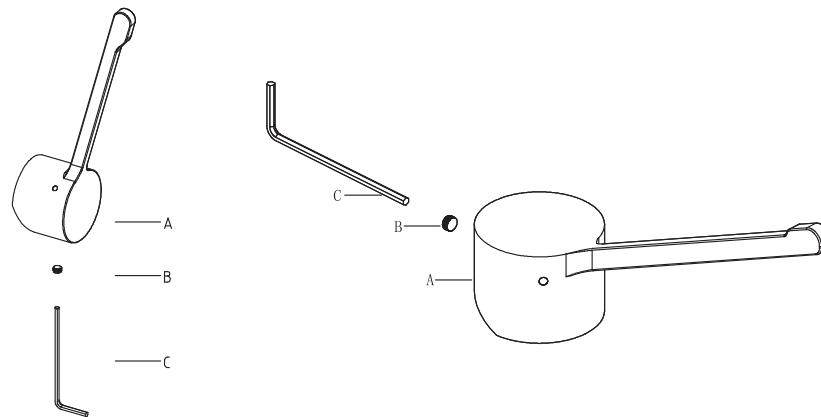
CARE & MAINTENANCE

Clean with a soft cloth and warm soapy water as necessary - rinse and dry after cleaning. Under No Circumstances should abrasive or acid based cleaning products be used.

Oliveri®

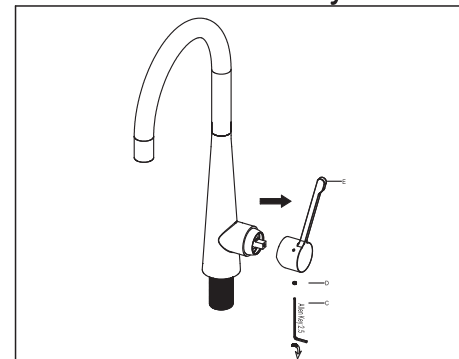
PARTS LIST

No.	Description	Qty
A	Care handle	1
B	Grub screw	1
C	Allen key	1

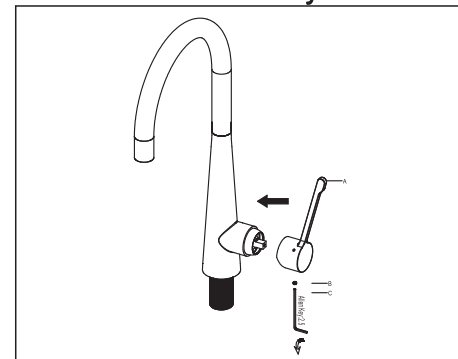


PLUMBERS INSTALLATION INSTRUCTIONS

Disassembly

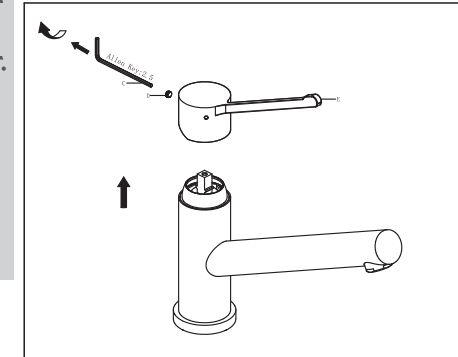


Assembly

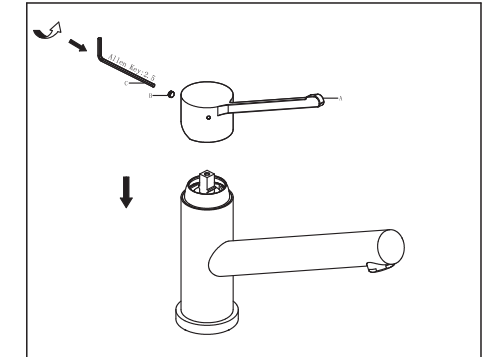


Oliveri®

Disassembly



Assembly



Replacing Handle

Disassembly: Using a 2.5mm allen key (C) to loosen grub screw (D) and remove handle (E).

Assembly: Fit new handle (A), taking care that it is pushed fully onto cartridge stem, and use a 2.5mm allen key (C) to lock the grub screw (B) tightly.

WARRANTY

This care handle is warranted to be free from manufacturing defects for a period of 7 Years replacement parts & labour; 5 years finish, 1 year labour when used in a domestic situation.

This warranty does not cover against normal wear and will be voided if the product is misused or not installed in accordance with these instructions.

In the event this product is rendered obsolete and a replacement product is required, Oliveri Solutions Pty Ltd reserves the right to supply a product of equal substitution at their discretion.

Our goods come with guarantees that cannot be excluded under the Australian Consumer Law. You are entitled to a replacement or refund for a major failure and for compensation for any other reasonably foreseeable loss or damage. You are also entitled to have the goods repaired or replaced if the goods fail to be of acceptable quality and the failure does not amount to a major failure.

SERVICE

If the problem represents a danger, or damage to property may occur, immediately shut off the water supply. If the spout requires servicing, please contact your plumber (preferably the one who installed it). Most problems occur due to contaminated supply lines or water pressure exceeding 500KPa. Unscrew and clean the spout aerator periodically - especially if you notice a drop in water pressure.

If the Plumber / Installer is satisfied that the problem is not due to poor installation, contact Oliveri's nominated Warranty Service Agent for assistance on:

Ph: (08) 8348 6444 (choose the after sales service & warranty option)

Email: warranty@oliveri.com.au

For full warranty information visit: <https://oliveri.com.au/service-and-warranty>

If a warranty service call finds that the spout does not have a genuine manufacturing fault, our Warranty Service Agent reserves the right to pass on any call-out fee to the householder.