

THIS MIXER TAP MUST BE INSTALLED BY A LICENSED PLUMBER IN ACCORDANCE WITH LOCAL REGULATIONS

This Oliveri tap is manufactured to standard AS/NZS 3718.

MAX OPERATING PRESSURE:..... 6 bar (600kPa)  
 RECOMMENDED OPERATION PRESSURE:..... 1-5 bar  
 MAX HOT WATER TEMPERATURE:..... 80°C  
 RECOMMENDED HOT WATER TEMPERATURE:..... 60°C  
 FLOW RATE:..... 7.0 L/min 3 bar

In case of operating pressures higher than 6 bar (600kPa) a pressure reducing device must be installed on the feed lines. Failure to do so where required will void warranty.

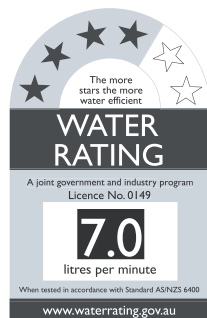
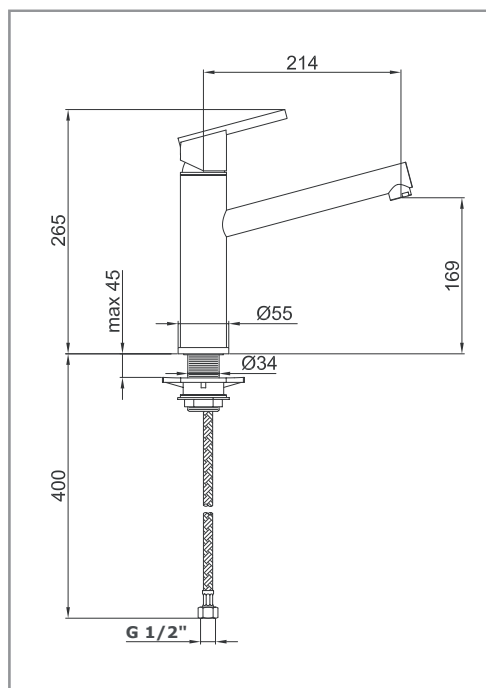
Before attempting any work involving mains water supply lines, ensure the water supply is shut off.

Stop valves (preferably with filters) must be used when installing your Oliveri mixer to allow isolation. (not supplied with mixer)

This mixer tap is already pre-assembled and tested. Do not disassemble, as this may void the warranty.

This mixer tap must be installed in accordance with these instructions.

**TN2010**



MADE IN ITALY

TF139b- TN2010 Instructions



www.oliverisinks.com

**TN2010**



**TN2010 single lever sink mixer  
 swivel spout & with 1/2" F flex. hoses**

**CARE & MAINTENANCE**

Unscrew and clean the spout aerator periodically - especially if you notice a drop in water pressure. The polished chrome-plated finish on your Oliveri mixer tap will resist stains and dirt build-up.

Clean with a soft cloth and warm soapy water as necessary – rinse and dry after cleaning. Avoid using abrasive or acid based cleaning products.

**WARRANTY**

This mixer tap is warranted to be free from manufacturing defects for a period of 10 Years: 5 years only (parts & labour) plus an additional 5 years on the Cartridge (parts only), when used in a domestic situation.

**This warranty does not cover against normal wear and may be voided if the product is misused or not installed in accordance with these instructions.** Note: Fitting spout-attached devices, including water filters, to this mixer may void warranty.

In the event this product is rendered obsolete and a replacement product is required, Tasman Sinkware reserves the right to supply a product of equal substitution at their discretion.

**SERVICE**

**If the problem represents a danger, or damage to property may occur, immediately shut off the water supply.** If the mixer tap requires servicing, please contact your plumber (preferably the one who installed it).

Most problems occur due to contaminated supply lines or water pressure exceeding 600kPa.

If the Plumber is satisfied that the problem is not due to poor installation, contact T2 Services Pty Ltd for assistance on:

Ph: (07) 5596 0738  
 Fax: (07) 5527 3353  
 Email: oliveri@t2services.com.au

If a warranty service call finds that the mixer tap is not at fault, T2 Services Pty Ltd reserves the right to pass on any callout fee to the householder.

