



www.oliverisinks.com



Model No:

**863U**

DOWN UNDER MOUNT SINK



INCLUDED ACCESSORIES



**AC09 Basket Waste x 1**



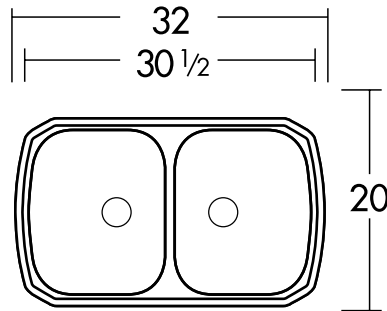
**AC72W 'D' Colander**



**AC24 Synthetic Preparation Board**

Model No: **863U**

DIMENSIONS



**Maxi Basin 1**  
13<sup>3</sup>/<sub>4</sub> x 16<sup>1</sup>/<sub>2</sub> x 8" deep  
6.2 Gallon Capacity



Undermount CAD files (DXF & DWG format) can be downloaded from our web site [www.oliverisinks.com](http://www.oliverisinks.com)

MATERIAL	CONSTRUCTION	SHIPPING WEIGHT	INSTALLATION METHOD	CABINET
Stainless Steel 304 Grade 18 Gauge	Individual bowls welded into rim	(Packed) 26.5 lb	Includes Template and Installation Clips  Designed to be under-mounted into a solid surface counter	Minimum 34"



Head Office & Manufacturing Plant  
Tasman Sinkware Pty Ltd  
51 Naweena Road, Regency Park  
South Australia 5010 AUSTRALIA

US Office  
PO Box 11120  
Wilmington NC 28405  
Email contact  
[tasmansink@aol.com](mailto:tasmansink@aol.com)

Manufactured in Australia to highest quality standards. Tasman Sinkware is Quality Endorsed to ISO 9001-2000.