



www.oliverisinks.com



Model No:

563- x

TOP MOUNT SELF-RIM SINK

x = Faucet Holes
see Tapping Guide below



Shown with garbage disposal (not included)

INCLUDED ACCESSORIES

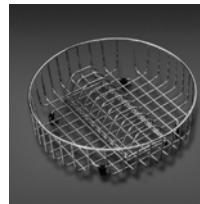


AC09 Basket Waste x 1

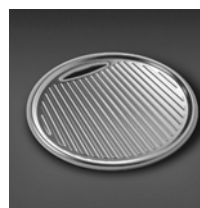
OPTIONAL ACCESSORIES



AC50 Timber Preparation Board



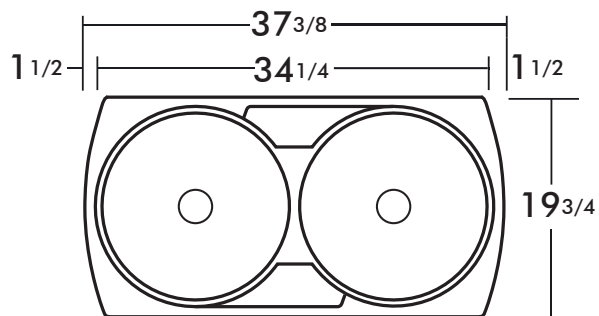
AC51 Stainless Steel Drainer Basket



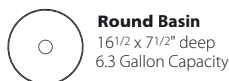
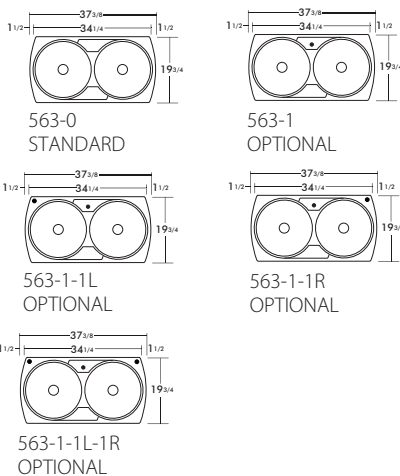
AC53 Stainless Steel Tray

Model No: 563- x

DIMENSIONS



Faucet Tapping Guide:



MATERIAL Stainless Steel 304 Grade 20 Gauge	CONSTRUCTION 2 piece, bowls & drainer seam welded	SHIPPING WEIGHT (Packed) 20 lb	INSTALLATION METHOD Refer Installation Instructions Includes Installation Clips Designed to be top mounted	CABINET Minimum 36"
---	---	---	---	----------------------------------



Head Office & Manufacturing Plant
Tasman Sinkware Pty Ltd
51 Naweena Road, Regency Park
South Australia 5010 AUSTRALIA

North America Office
1230 Railroad Street
Corona, C.A. 92882
Email contact
www.oliverisinks.com

Manufactured in Australia to highest quality standards.
Tasman Sinkware is Quality Endorsed to ISO 9001-2000.