



www.oliverisinks.com



Model No: x = Faucet Holes
see Tapping Guide below

521-x & 522-x

TOP MOUNT SELF-RIM SINK

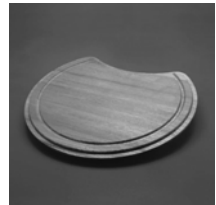


INCLUDED ACCESSORIES



AC09 Basket Waste x 1

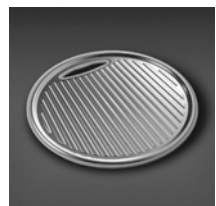
OPTIONAL ACCESSORIES



AC50 Timber Preparation Board

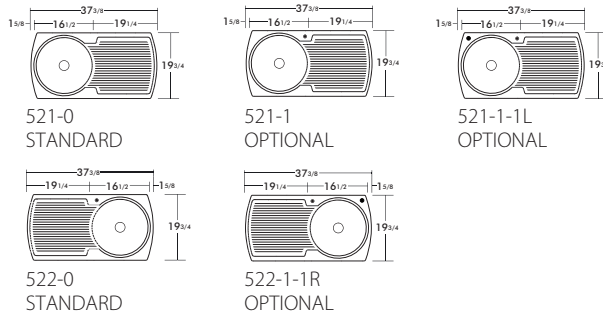


AC51 Stainless Steel Drainer Basket



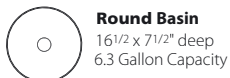
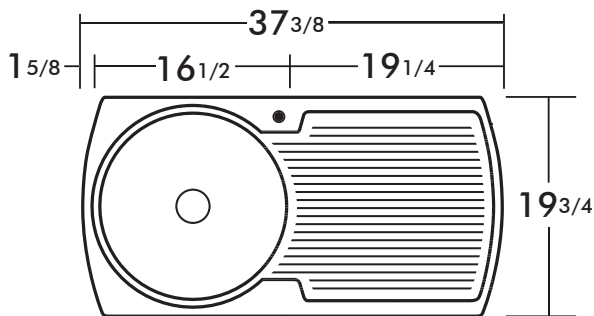
AC53 Stainless Steel Tray

Faucet Tapping Guide:

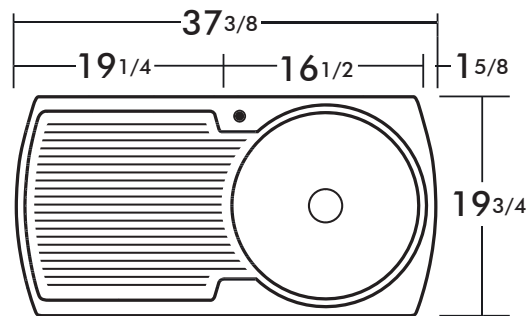


Model No: 521-x

DIMENSIONS



522-x



MATERIAL	CONSTRUCTION	SHIPPING WEIGHT	INSTALLATION METHOD	CABINET
Stainless Steel 304 Grade 20 Gauge	2 piece, bowls & drainer seam welded	(Packed) 22 lb	Refer Installation Instructions Includes Installation Clips Designed to be top mounted	Minimum 18"

Head Office & Manufacturing Plant
Tasman Sinkware Pty Ltd
51 Naweena Road, Regency Park
South Australia 5010 AUSTRALIA

North America Office
1230 Railroad Street
Corona, C.A. 92882
Email contact
www.oliverisinks.com

Manufactured in Australia to highest quality standards.
Tasman Sinkware is Quality Endorsed to ISO 9001-2000.

