



Model No:
1190U
Professional Series
 UNDERMOUNT SINK

www.oliverisinks.com

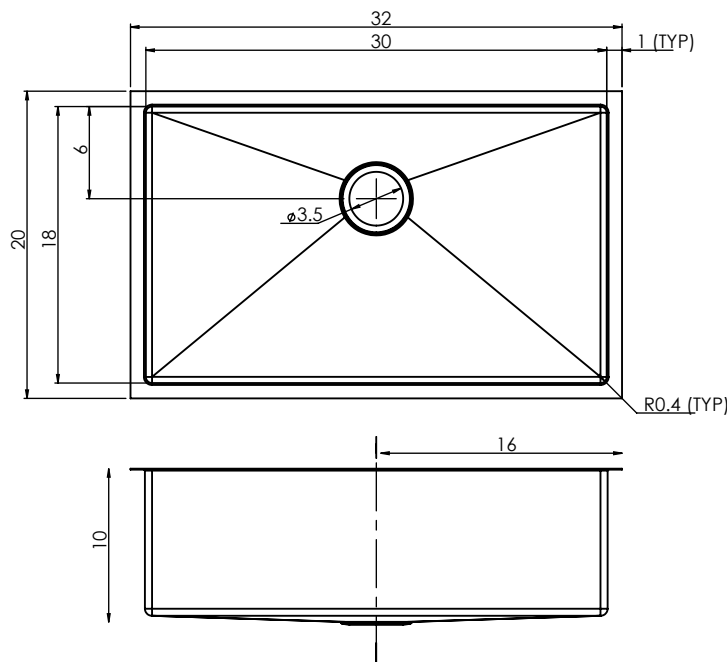


18/10
 STAINLESS
 STEEL

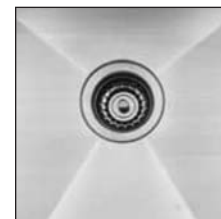
16
 GAUGE



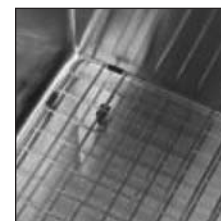
Model No: **1190U**
 DIMENSIONS



INCLUDED
 ACCESSORIES



Basket Waste x1



Basin Protector

MATERIAL	CONSTRUCTION	SHIPPING WEIGHT	INSTALLATION METHOD	CABINET
Stainless Steel 304 Grade 16 Gauge	Fabricated bowl with 1/2" (10mm) internal radius corners	(Packed) 38lb	Designed to be undermounted into a counter	Minimum 36"



Head Office
 Tasman Sinkware Pty Ltd
 51 Naweena Rd, Regency Park
 South Australia, 501
 AUSTRALIA

North America
 1230 Railroad St
 Corona CA 92882
 northamerica@oliverisinks.com

This sink is fabricated by a
 partner supplier according to
 Tasman Sinkware's specifications
 and quality standards